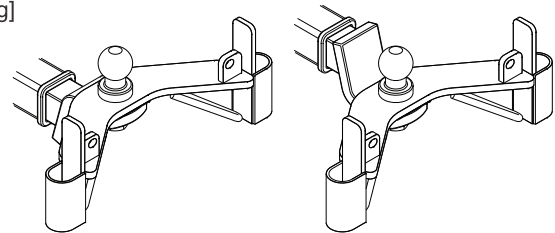
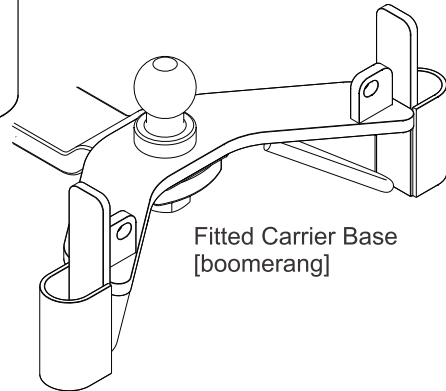
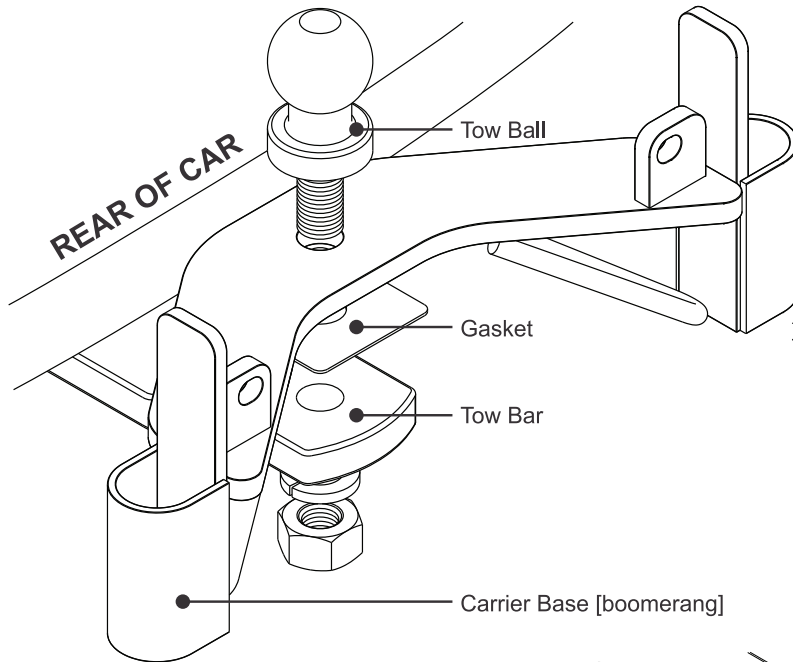
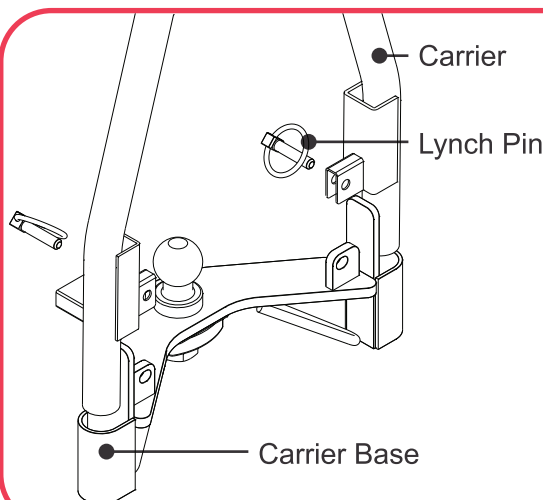
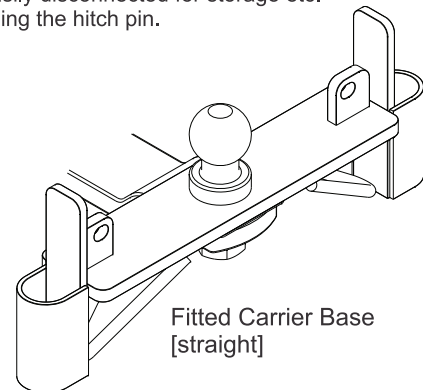
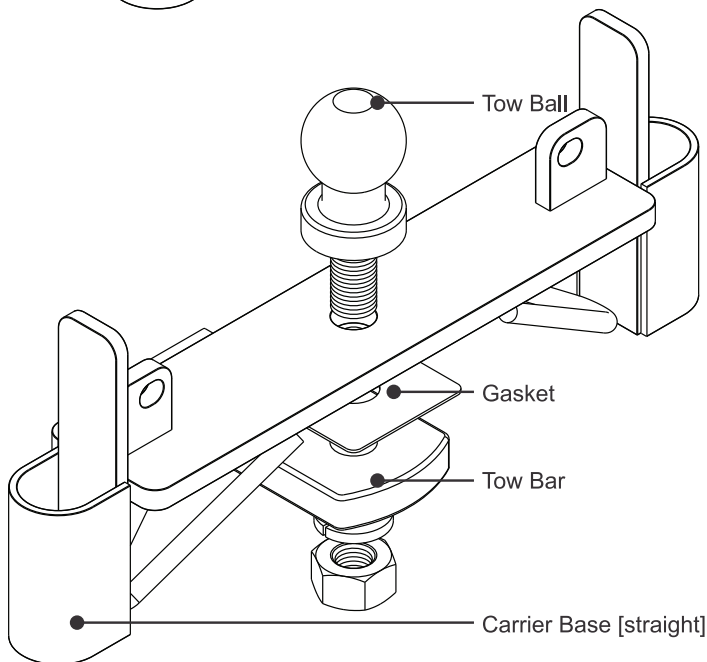


FITTING YOUR PACIFIC BICYCLE CARRIER



For "Hayman Reese" type hitches, mount to tow bar component in either of the orientations shown above. Bicycle carrier may then be easily disconnected for storage etc. using the hitch pin.



Locate CARRIER into CARRIER BASE and push firmly home. Ensure holes in CARRIER and CARRIER BASE are correctly aligned. Insert a LYNCH PIN in each hole and snap ring of the pin over CARRIER so that the LYNCH PIN cannot fall out.

1. Remove TOW BALL from TOW BAR
2. Place GASKET on top surface of TOW BAR, carefully aligning edges and holes (see illustration)
3. Place CARRIER BASE on GASKET (boomerang style must have arms pointed behind the car)
4. Insert TOW BALL through holes in CARRIER BASE, GASKET and TOW BAR.
5. Replace spring washer and nut and tighten securely to manufacturer specifications